

# Javelin TL815

## Submersible Pumps

Pumps	RPM	Rated Power (kW)	Rated Current (A)	Power Factor (Cos)	Voltage	Capacitor	Cable	Free Passage (mm)	Weight (kg)
TL 815	1450	1.5	3.7	0.81	3 ~ 400v	-	4G1.5	80	45

### Description

Submersible electric pumps with vortex impeller.  
Double mechanical seal in oil-chamber.  
Max liquid temperature 40°C.

### Application

For pumping dirty water, sewage, biological muds, ground water, rain water and industrial effluent.

### Materials

Principle Parts: Cast iron G 20  
Impeller: Cast iron G 20  
Shaft: Stainless steel AISI 420  
Screws: Stainless steel AISI 304

### Bearings

Single-row deep groove ball bearings.

### Electric Data

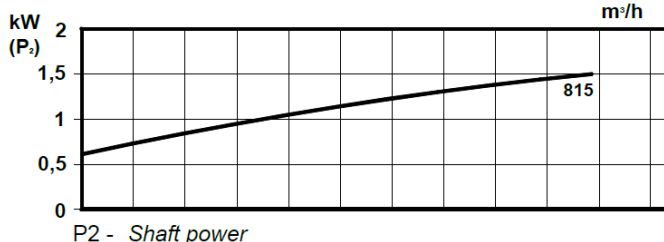
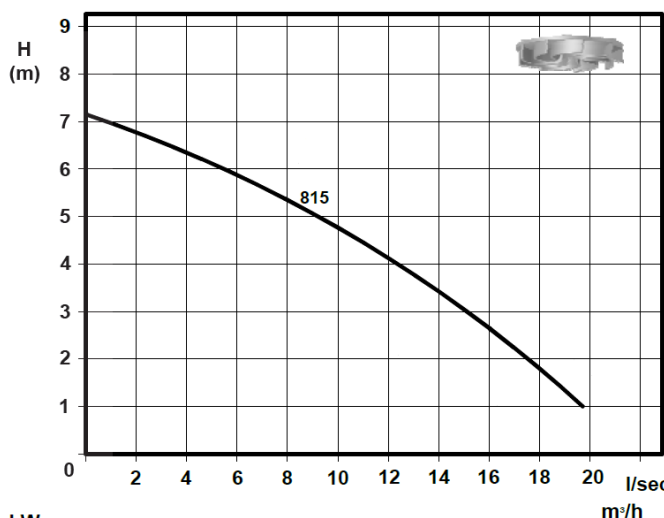
Motor three phase 50HZ  
Insulating motor class F (155°C - 310°F)  
Motor protection IP 68

### Shaft Seal

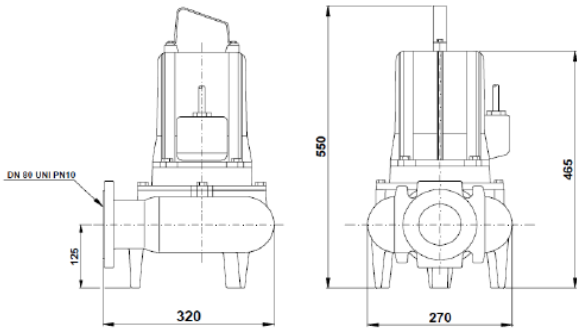
Lower: Silicon carbide/Viton  
Upper: Graphite/Alimina

### Discharge

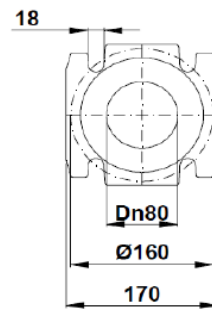
DN 80 – PN 10



### Overall Dimensions

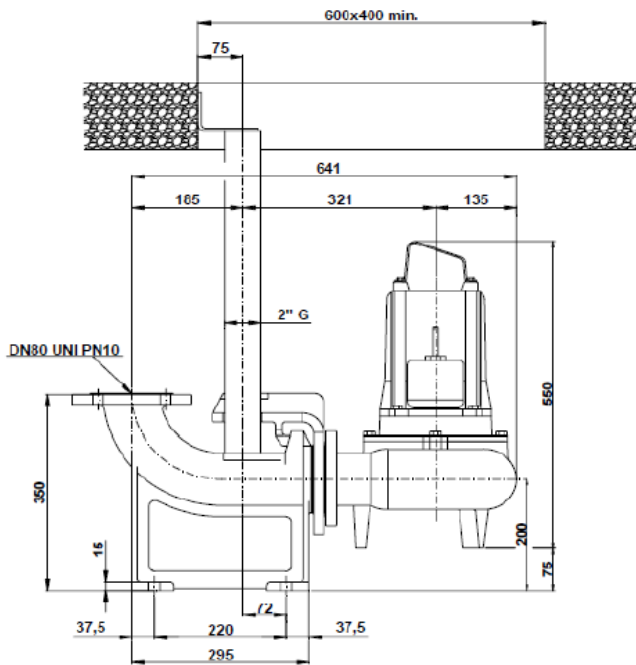


### Mobile Installation



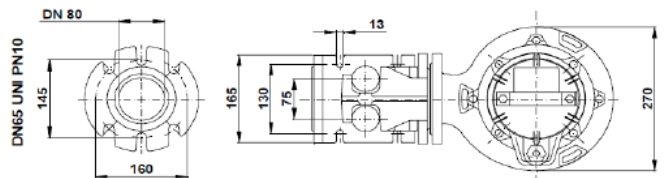
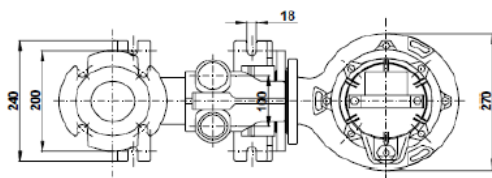
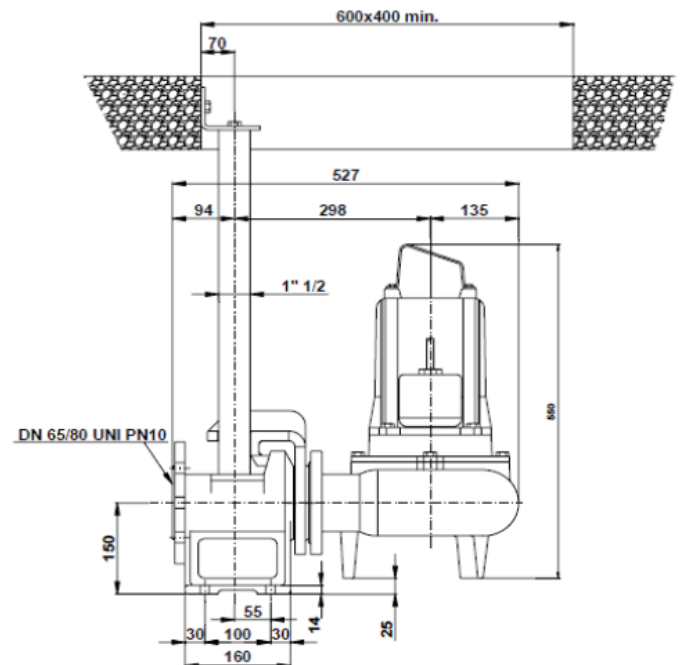
### Fixed Installation

#### Discharge bracket DN 80C



### Fixed Installation

#### Discharge bracket DN 65/80 D



DN80 UNI PN10