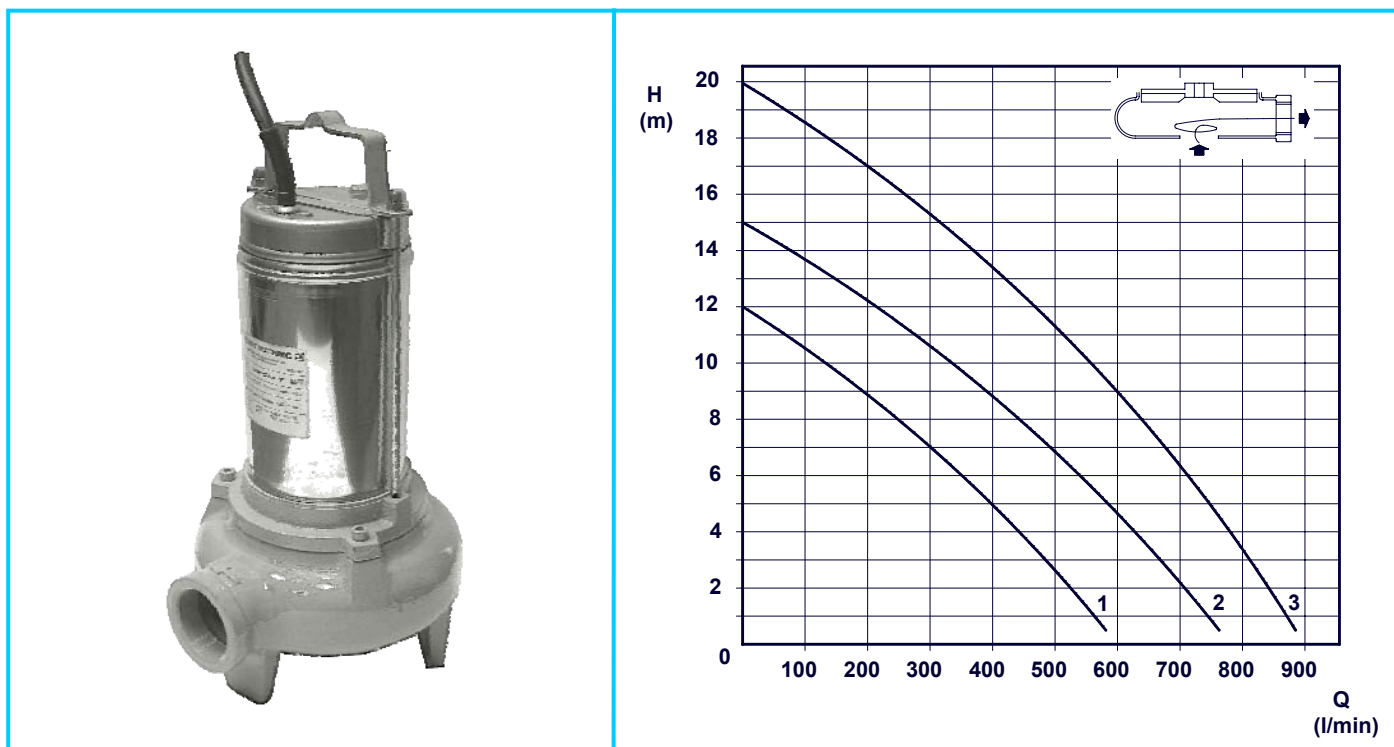


Submersible pumps

series **VR**



Description

Submersible electric pumps with vortex open impeller, pump body in cast iron, impeller in stainless steel AISI 304, motor in liquid refrigerant bath, dielectric, not pollutant; thermal protection switch incorporated for single-phase version.

Application

Small lifting services for sewage, domestic and industrial effluents, rain waters.

Electrical data

Curve N°	Pump type	kW (P _n)	Voltage V.	Rated current A.	Capacitor μF	R.P.M.	Free Passage mm	Weight Kg
1	VR 511	1,1	400	3	-	2900	50	20
	VR 511 M - MG		1 ~ 230	7,5	40			
2	VR 515	1,5	400	3,4	-			25
	VR 515 M - MG		1 ~ 230	10,5	45			
3	VR 522	2,2	400	5,6	-		45	25

P_n = Power rating.

M = Single phase

MG = Single phase with automatic float switch.

Materials

Pump volute : Cast Iron G25

Motor body : Stainless steel AISI 304

Impeller : Inox AISI 304 (VR 511-515)
Cast Iron G25 (VR 522)
Stainless steel AISI 304 (VR 511-515)

Shaft : Stainless steel AISI 420

Screws : Stainless steel AISI 304

Bearings

Single-row deep groove ball bearings.

Shaft seal

VR 511 - 515

Motor side : Silicon carbide - Liquid side : seal Ring

VR 522

Motor side : Graphite - Alumina - Liquid side : Silicon carbide

Motor

Threephase / single-phase motor

Protection IP 68

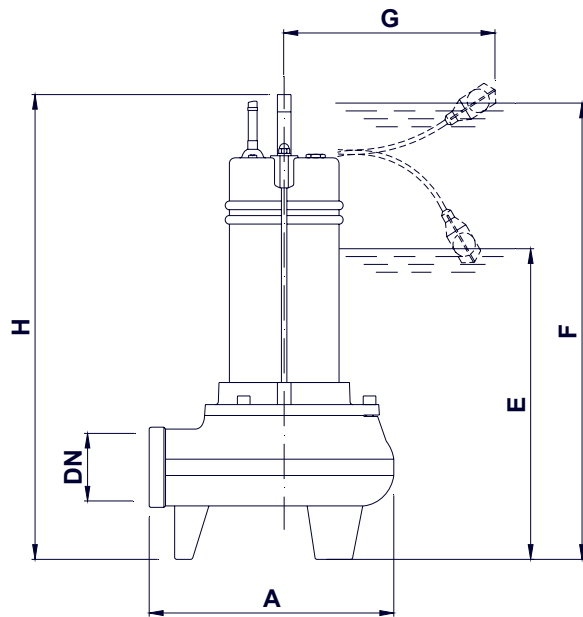
Class F insulating

Thermal protection switch incorporated in all single-phase motors

Electric cable

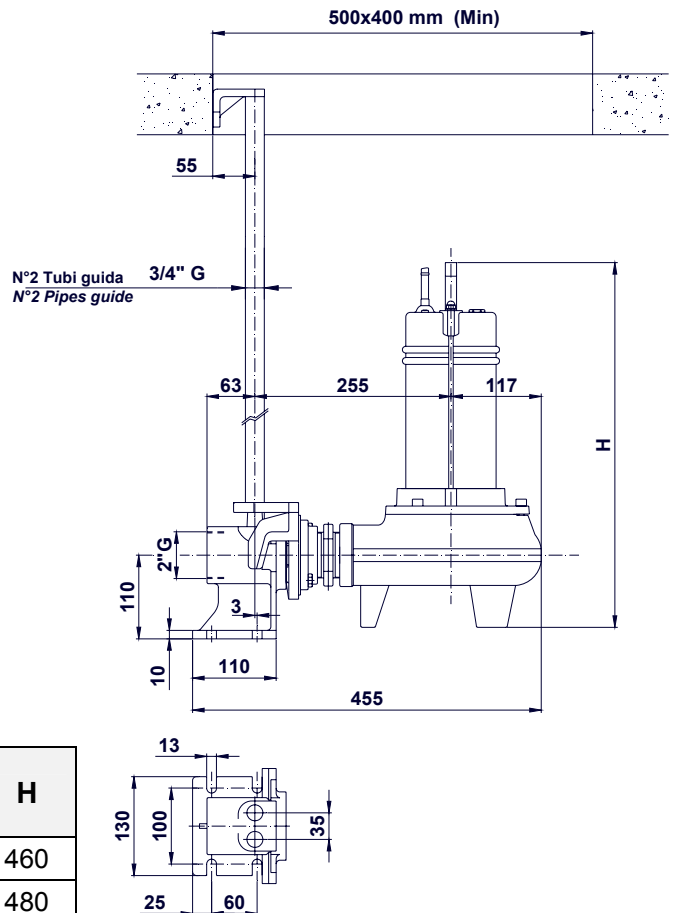
H07RNF - 10 mt.

Mobile installation



Discharge Bracket DN 50/2GNVR

Fixed installation



TIPO - Type	DN	A	E	F	G	H
VR 511	2" G	260	320	520	350	460
VR 515						480
VR 522						500